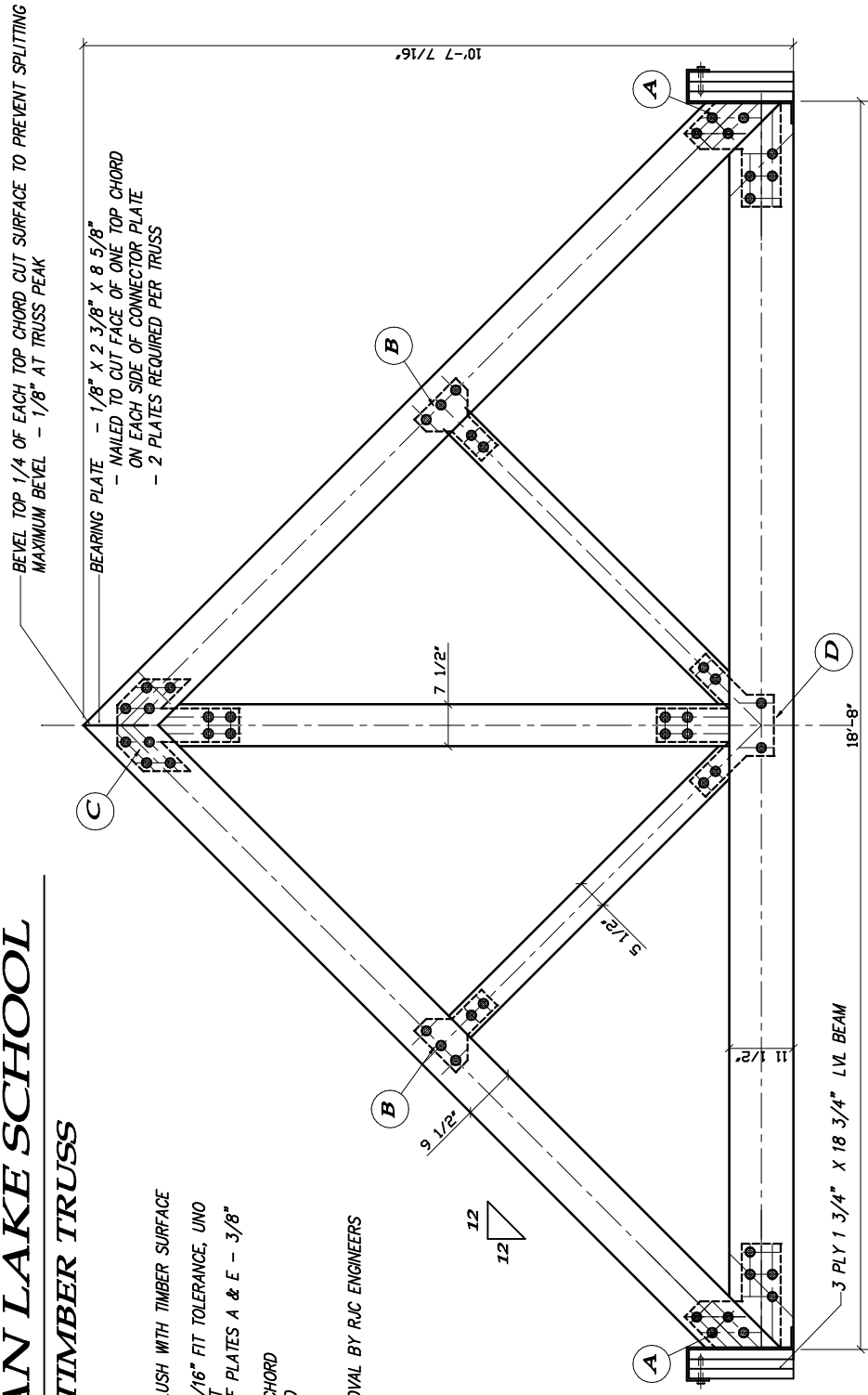


SHAWNWIGAN LAKE SCHOOL

TM B1 - HEAVY TIMBER TRUSS

NOTES

1. ALL WASHERS COUNTERSUNK 1/4", FLUSH WITH TIMBER SURFACE
2. BOLTS ARE A307 STEEL - 3/4"
3. BOLT HOLES ARE 13/16" ALLOWING 1/16" FIT TOLERANCE, UNO
4. PLATES ARE A36 STEEL, 1/4" EXCEPT HANGER & BACK PLATE PORTIONS OF PLATES A & E - 3/8"
5. TIMBERS ARE D FIR, SS, S4S,
 - 6" x 12" - BOTTOM CHORD
 - 6" x 10" - TOP CHORD
 - 6" x 8" - KINGPOST
 - 6" x 6" - WEBS
7. DESIGNED TO SPECIFICATION & APPROVAL BY R/C ENGINEERS



TM B1 - TIMBER TRUSS WITH BEARING HANGER

3/8" = 1'

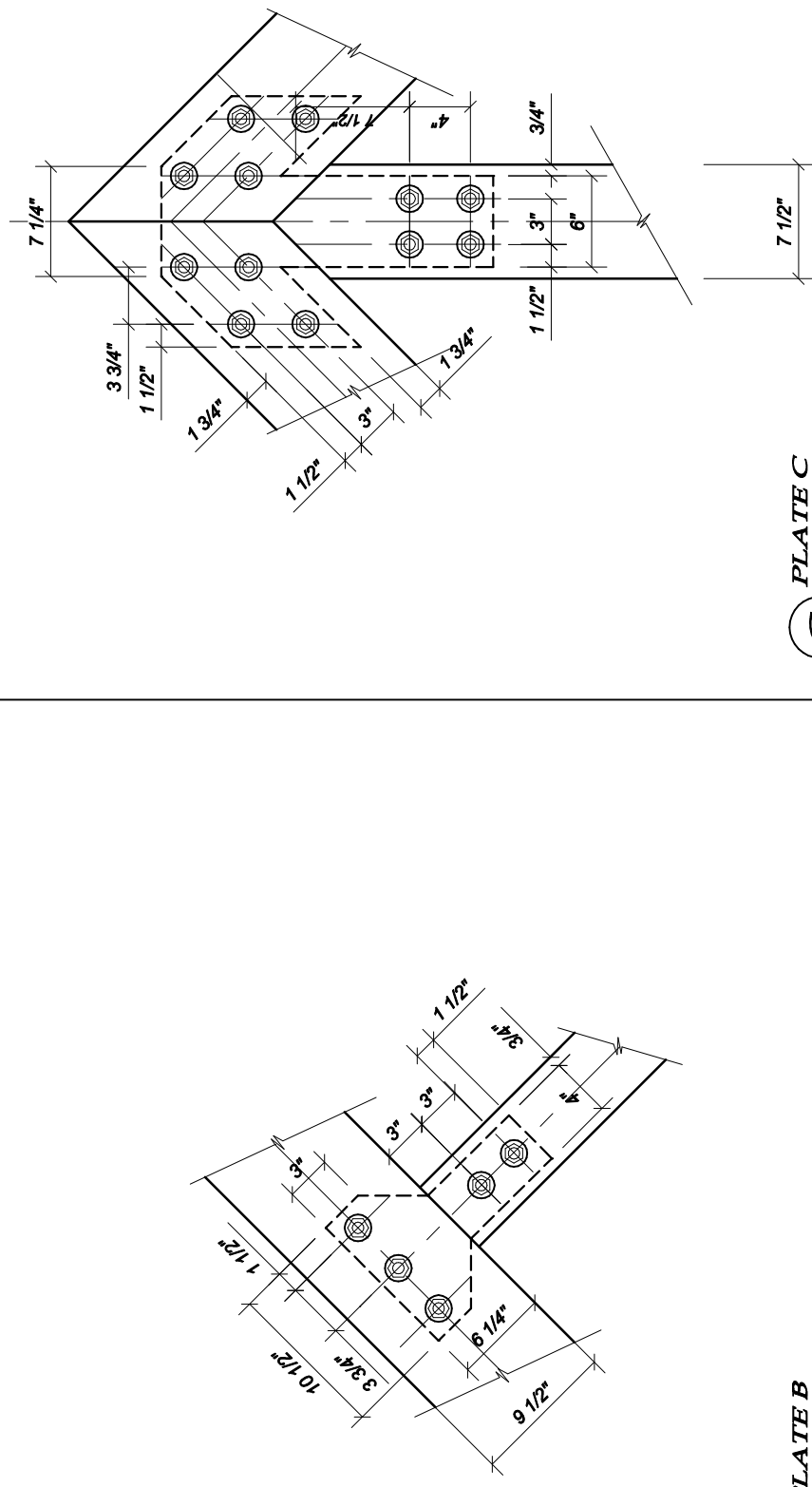


PLATE B
1" = 1'

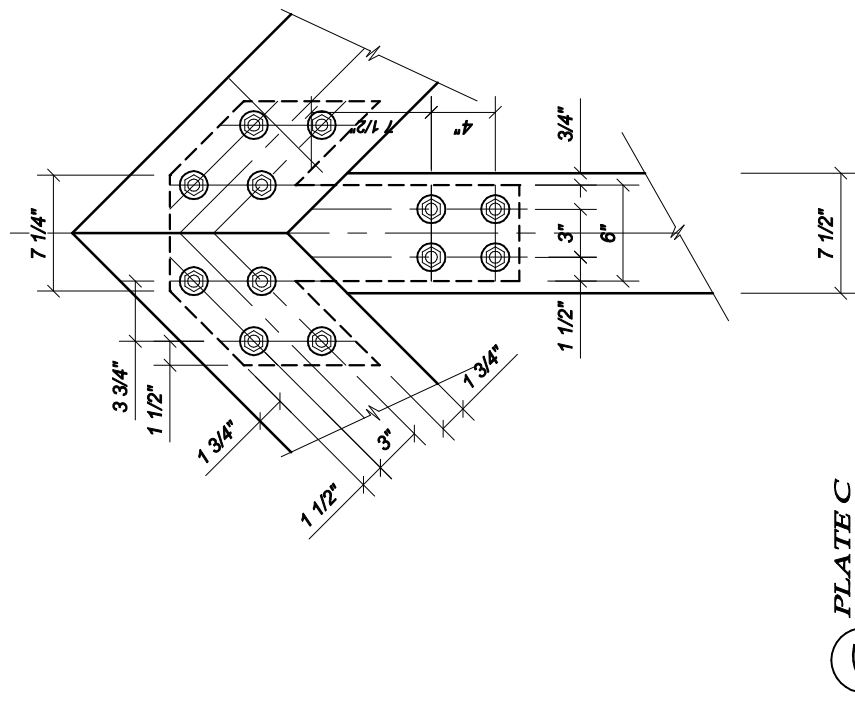


PLATE C
1" = 1'

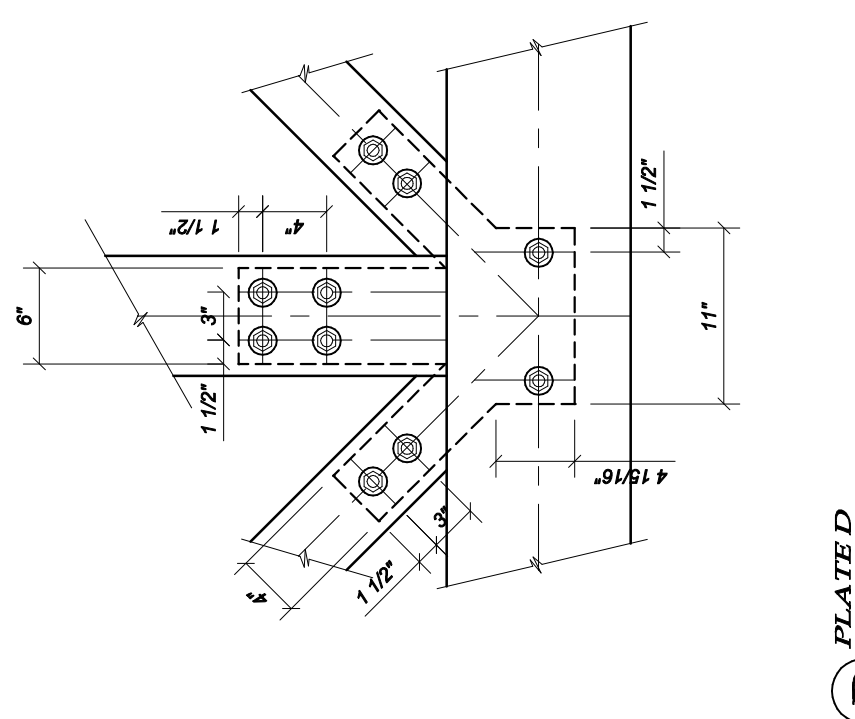


PLATE D
1" = 1'

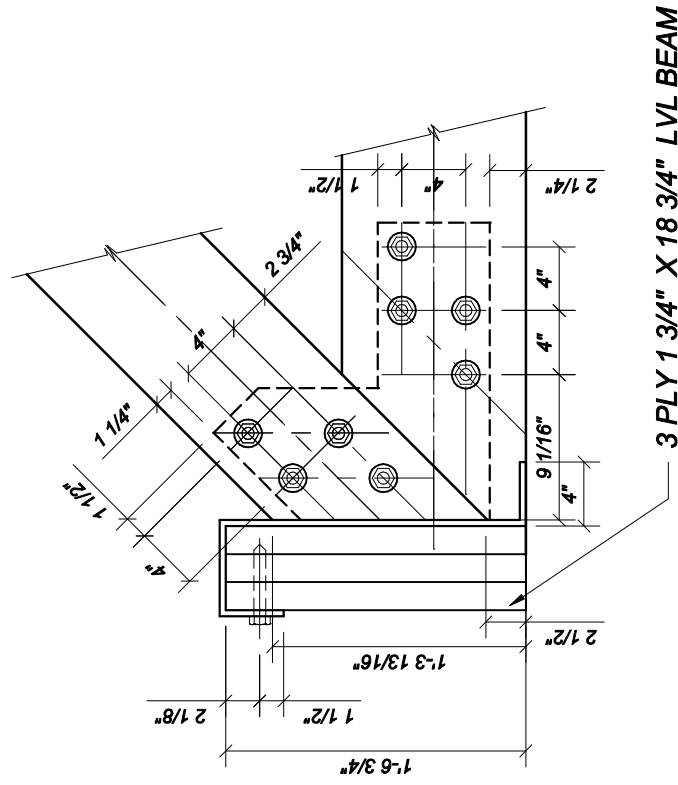



PLATE A
1" = 1'

3 PLY 1 3/4" X 18 3/4" LVL BEAM

No.	REVISIONS	DATE



PACIFIC TRUSS

P.O. Box 70,
Trans Canada Hwy.,
Cobble Hill, B.C.
V0R 1L0

Tel: (250) 743-5584
383-4737 (Victoria)
669-5186 (Vancouver)
245-5021 (Nanaimo)
Toll Free: 1-800-667-3511

PROJECT/RESIDENCE:
SHAWNWIGAN LAKE SCHOOL

LONSDALE'S HOUSE
SHAWNWIGAN LAKE

DWG. TITLE: HEAVY TIMBER TRUSS

DESIGNER: CC

DRAWN BY: CC

DATE: MAY 19, 2006

SCALE: AS NOTED

LOADING (PSF): Floor D.L. Roof D.L. Roof D.L.

PERMIT #

SALES REP: PHIL C.

TRUSSTRAM# J05L070D

JOB No. DRAWING No. REV.

S1