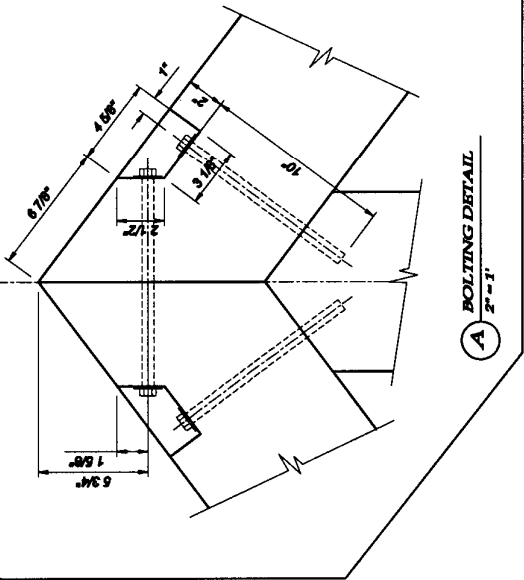
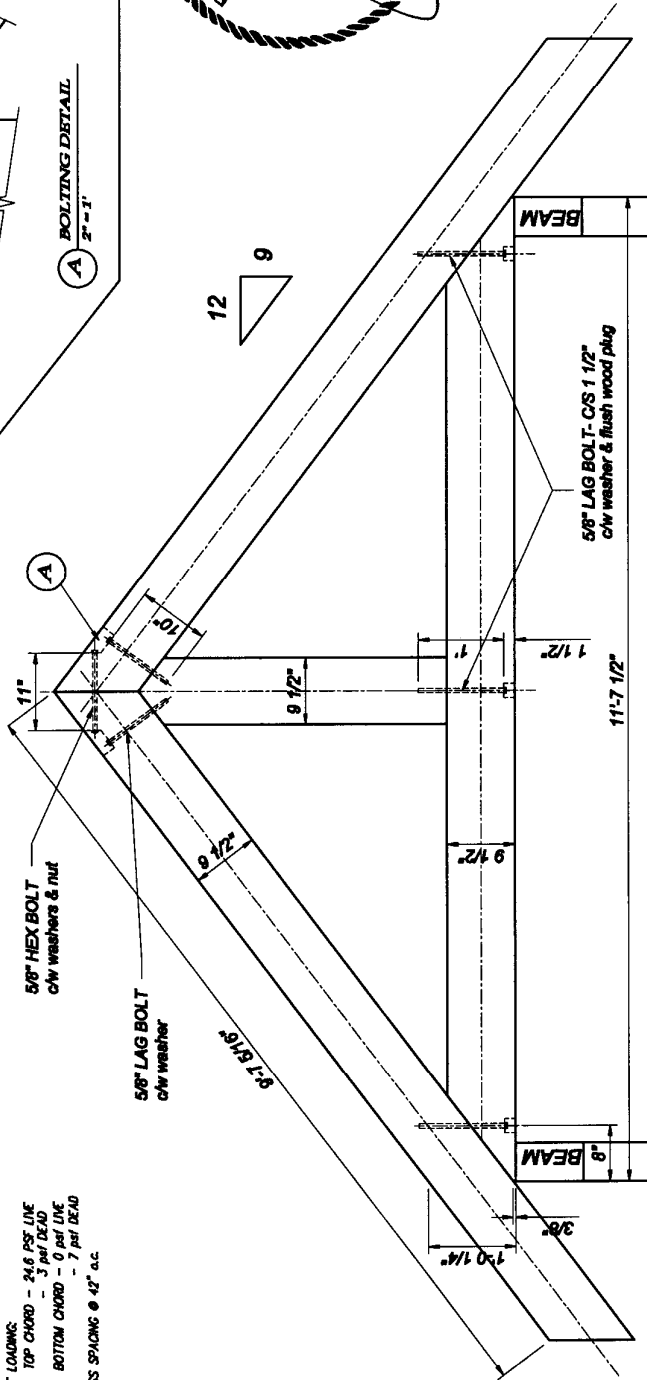


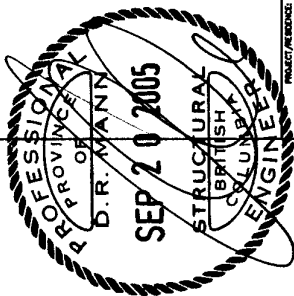
J10X683B RICHWOOD CONSTRUCTION
TMDB1 - HBA VY TIMBER COMMON GABLE TRUSS

NOTES

1. TIMBERS ARE 5 1/2" X 7 1/2" DOUGLAS FIR SS.
2. BOLTS ARE 5/8" A307 STEEL C/W WASHERS
3. BOLT HOLES ARE 11/16" ALLOWING 1/16" TOLERANCE
4. BOLTS THROUGH BOTTOM CHORD ARE COUNTERSUNK 1 1/2" WITH A 2" BORE. HOLE: WOOD COVER PLUG IS GLEED AND FINISHED FLUSH TO 1/5" OF BOTTOM CHORD.
5. TOP CHORD BRACING IS J" TONGUE & GROOVE DECKING.
6. ROOF LOADING.
7. TOP CHORD - 24.8 PSF LINE
8. BOTTOM CHORD - 0 psf DEAD
9. TRUSS SPACING @ 42" o.c.



A-A
BOLTING DETAIL
 2" = 1"



RICHWOOD CONSTRUCTION
 3405 MIDLAND ROAD
 OAK BAY

PROJECT/WORKSHEET:
HEAVY TIMBER TRUSS

DESIGNER: CC
 DRAWN BY: CC
 DATE: SEPT 16, 2005
 SCALE: AS NOTED
 CHECKED BY: [Signature] Date: 24.8 10

PROJECT #
 SHEET REF: BRENT M.
 INSTRUMENT: J10X683B
 JOB NO. DRAWING NO. **51**

TMDB1 - COMMON GABLE TRUSS ELEVATION
 3/4" = 1"